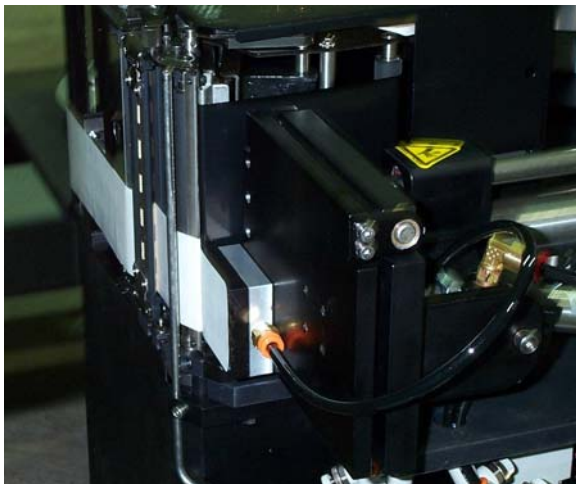
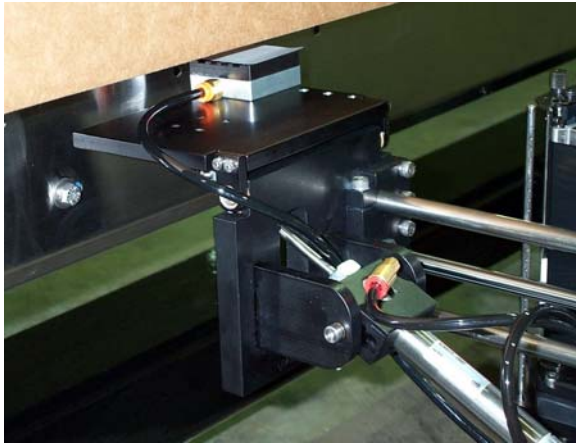


# ID TECHNOLOGY MODEL 250 EXTENDED TAMP BLOW

"LABELING, CODING AND MARKING SPECIALISTS."



1290



- Mounts easily to a Model 250
- Extends into hard to reach areas

This application module attaches easily to the ID Technology Model 250 Label Printer Applicator. This option enables the application of labels into hard to reach areas, as the tamp pad is extended, inverted and then blows the label onto the product.

This module was developed for a large refrigerator manufacturer to apply labels to the bottom of refrigerators as they travel along a conveyor. The printer applicator is mounted very close to the floor in a reels-up position. The refrigerator hangs over the edge of the conveyor. As the refrigerator passes the printer applicator the tamp cylinder extends underneath the refrigerator, inverts and then blows a label on the underside of the refrigerator.

This module is now a standard option that can be used to print and apply labels in other hard to reach areas.



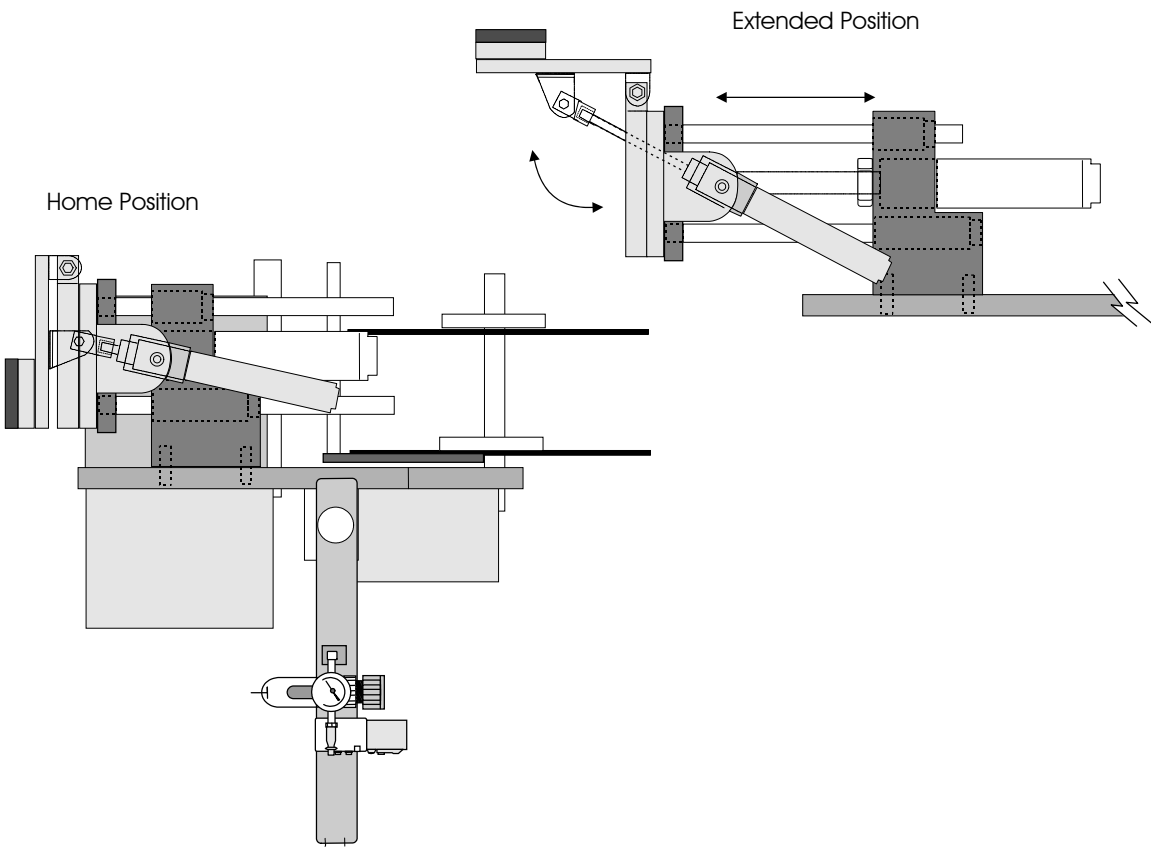


028457



# ID TECHNOLOGY MODEL 250 EXTENDED TAMP BLOW

"LABELING, CODING AND MARKING SPECIALISTS."



2051 Franklin Drive  
Fort Worth, TX 76106  
888.438.3242

[www.idtechnology.com](http://www.idtechnology.com)